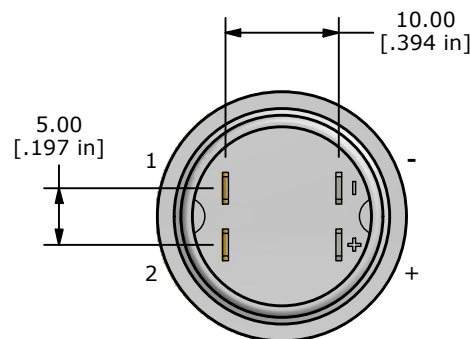
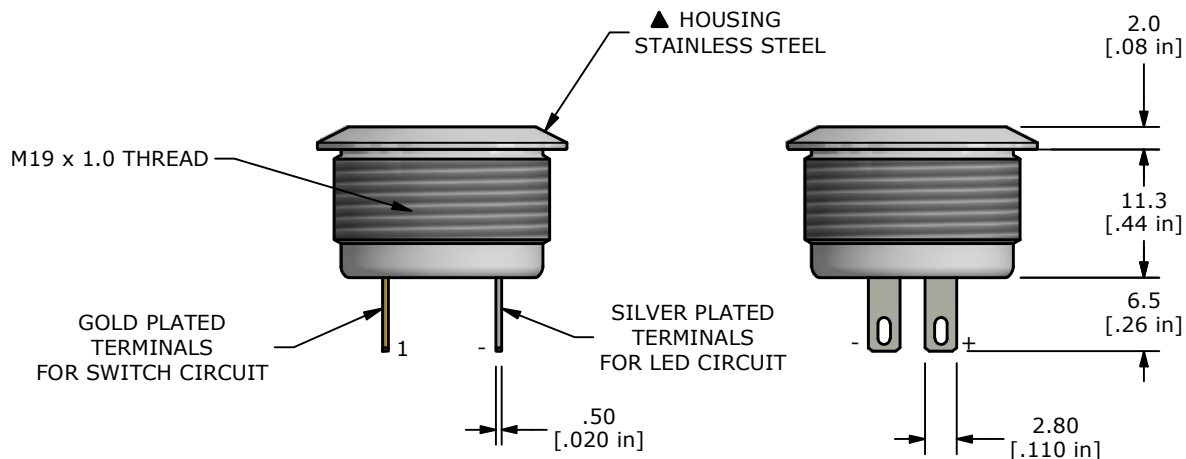
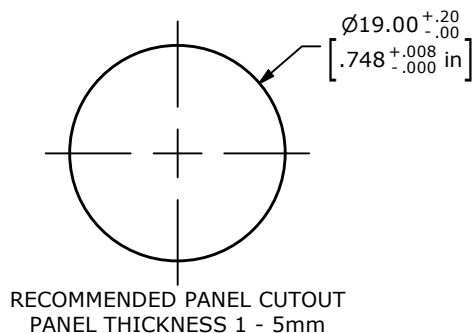
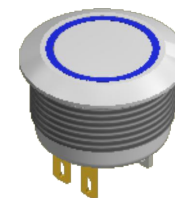
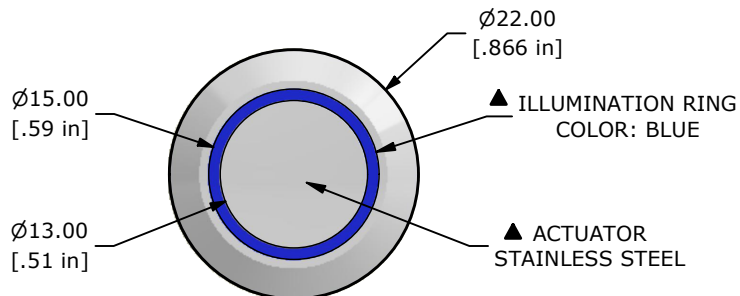


SWITCH FUNCTION	
POS. 1	POS. 2
OFF	(ON)
None	1-2

() = MOMENTARY



NOTE:

- ALL DIMENSIONS IN MM [INCH]
- GENERAL TOLERANCE: X.X = ±0.4
X.XX = ±0.25
- TERMINAL NUMBERS FOR REF ONLY
- CONTACT MATERIAL: Silver
- RATING: 50mA 24VDC
- ELECTRIC LIFE: 500,000 MAKE-AND-BREAK CYCLES AT FULL LOAD.
- INSULATION RESISTANCE: 1000 MΩ MIN.
- DIELECTRIC STRENGTH: 250 VAC MIN. FOR 1 MINUTE
- CONTACT RESISTANCE: 100mΩ MAX.
- OPERATING TEMP.: -40°C to +85°C
- TRAVEL: 0.5mm
- ▲ DENOTES CRITICAL PARAMETER.
- INGRESS PROTECTION: IP65
- ▲ LED VOLTAGE: 2.8V
- HARDWARE SUPPLIED: O-RING AND HEXNUT

REV	ECO NO	DESCRIPTION	DATE	BY	E-SWITCH®			OBJECT ID	
D	ECO-103542	PRINT UPDATE	07/25/25	JS	TITLE PVT4FS4SS341			000003333	
THE INFORMATION CONTAINED IN THIS DOCUMENT IS PROPRIETARY TO E-SWITCH AND IS NOT TO BE COPIED OR TRANSFERRED					SCALE	DATE	DR	DWG	REV
					3:2	3/19/2018	RC	52-PVT4FS4SS341	D