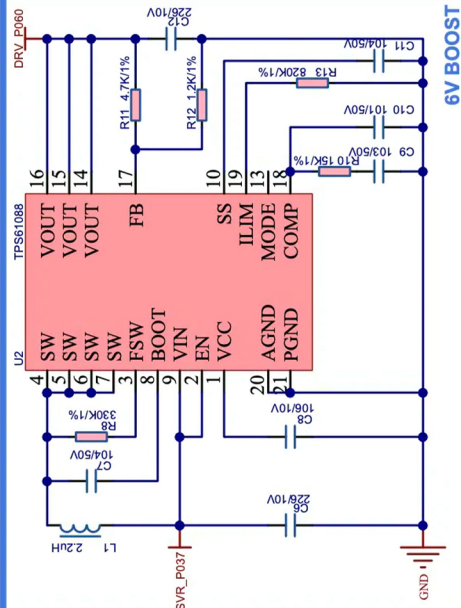
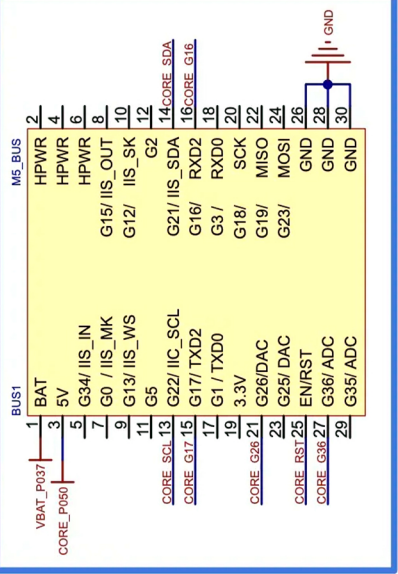
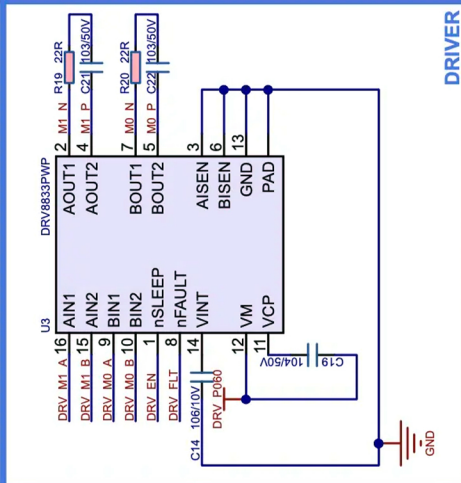


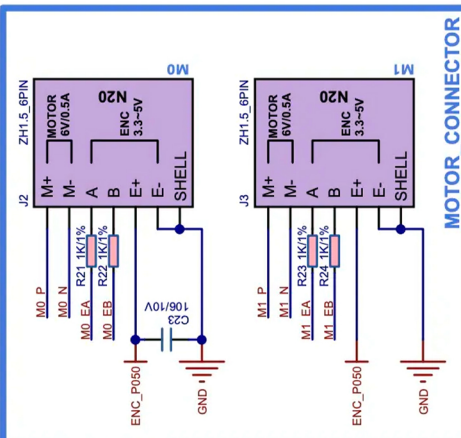
PWR_SW



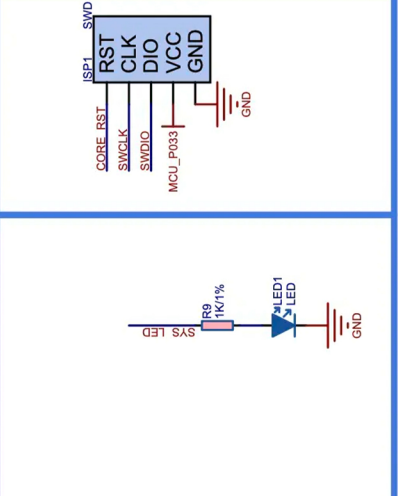
6V BOOST



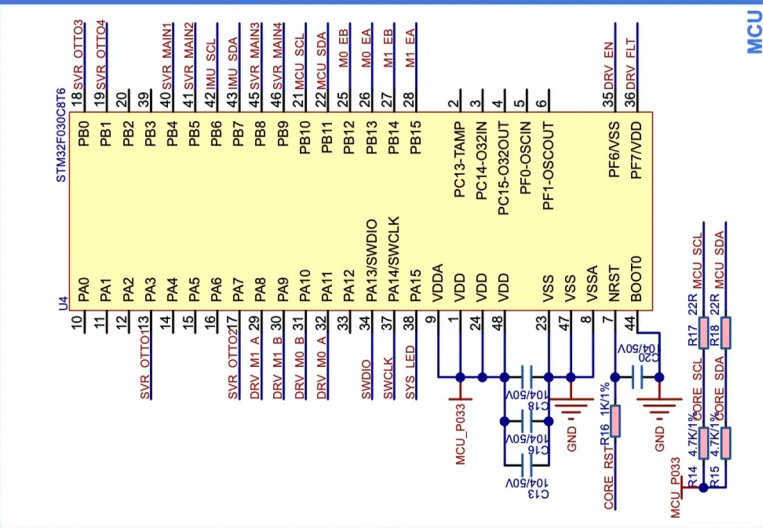
DRIVER



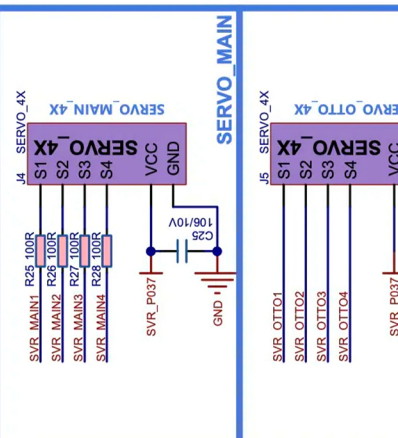
MOTOR_CONNECTOR



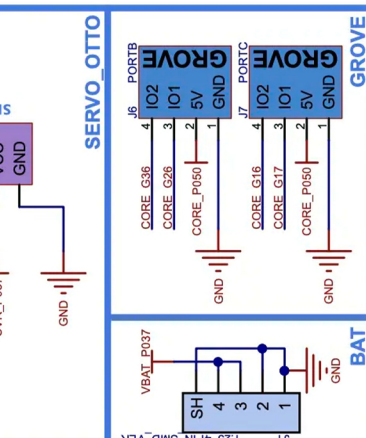
IMU



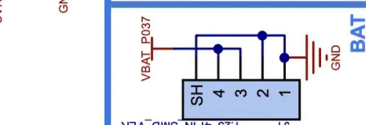
MCU



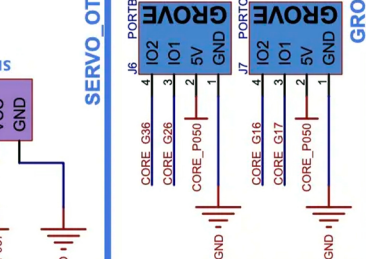
SERVO_MAIN



SERVO_OTTO



BAT



GROVE