

# Pro RF Development Board

WRL-15836

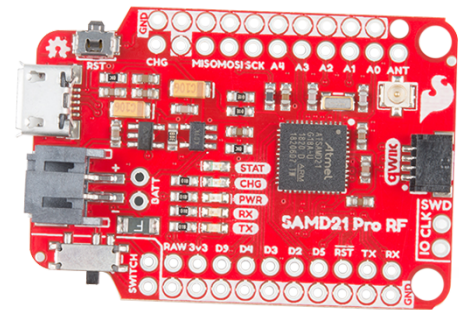
## Product Overview

05-18-2022

For the most up-to-date information, visit [www.mouser.com](http://www.mouser.com) or the supplier's website.

## Description

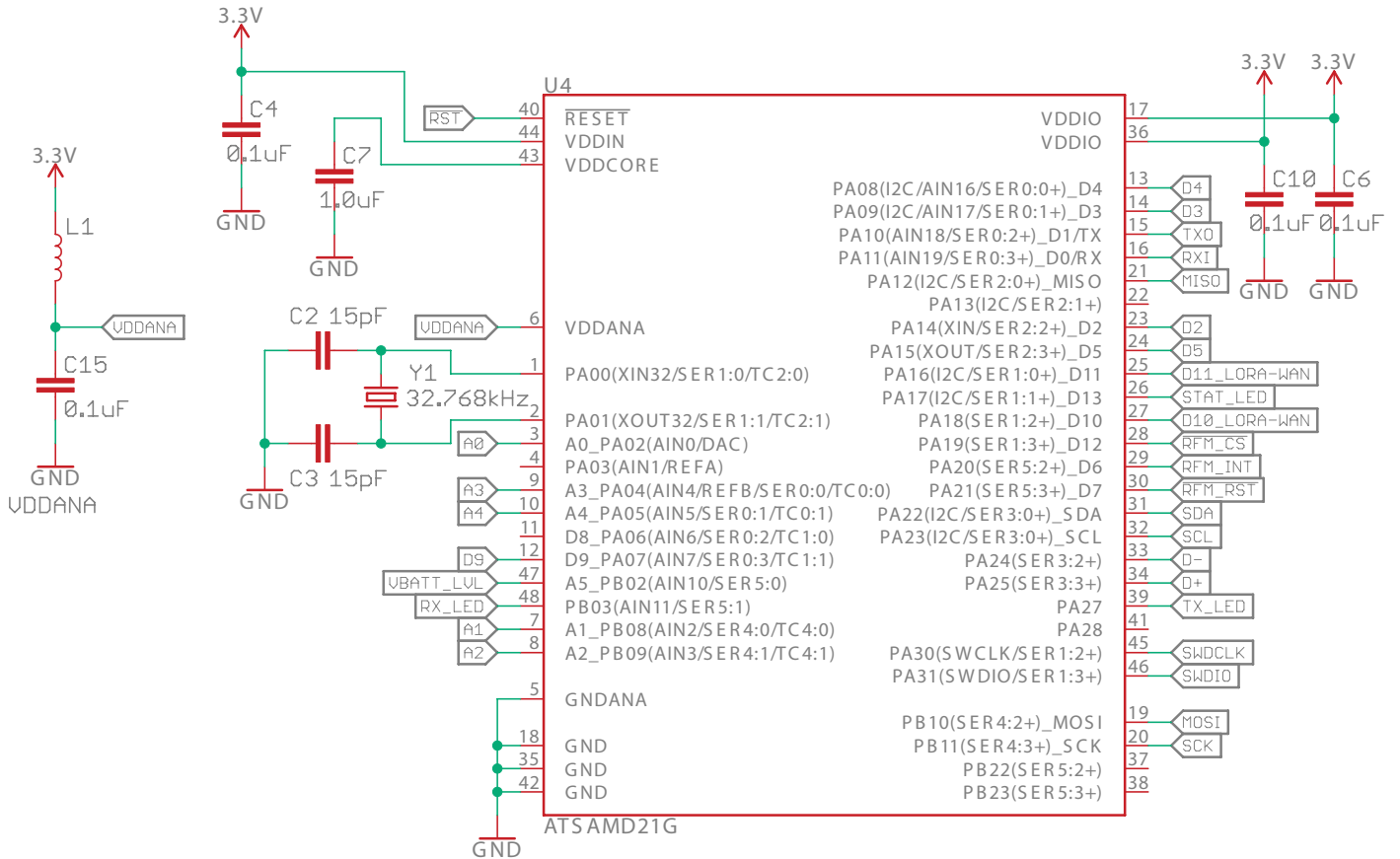
SparkFun Pro RF Development board is a LoRa<sup>®</sup>-enabled wireless board that is developed to evaluate SAMD21 MCU and RFM95W LoRa modem. The Pro RF exhibits fast MCU and point-to-point data transmission in the 915MHz ISM band with LoRa capabilities and is used in long-range data communication. Every pin on the development board is accompanied by ground connections making it easy to connect LEDs. The PRO RF also contains a power, a 2-pin JST connector, and U.FL antennae connector for longer distances. The development board programs over a reinforced Micro-B connector including a slim reset button that fits on the side of the board.



## Features

- LoRa<sup>®</sup>-based wireless board that is designed to evaluate SAMD21 MCU and RFM95W LoRa modem
- SAMD21G18:
  - ACortex M0+
  - 256KB flash memory
  - 32MHz external oscillator
  - 4 digital and 5 analog IO pins with exclusive GND pins
- Hope RFM95W LoRa modem:
  - Point to point radio capabilities
  - LoRa<sup>®</sup> enabled
  - 915MHz frequency range
  - Range up to 1mile line of sight
  - U.FL Antenna
- LiPo Battery Charger:
  - 500mA Charge ate
- Qwiic enabled
- Power LED disconnect jumper for low power applications
- PTH pins for Software Debug (SWD)

## Schematic



VCC RANGE: 1.62-3.63V

## Mouser Part Number

[View Part](#)

To learn more, visit <https://www.mouser.com/new/sparkfun/sparkfun-pro-rf-dev-board/>