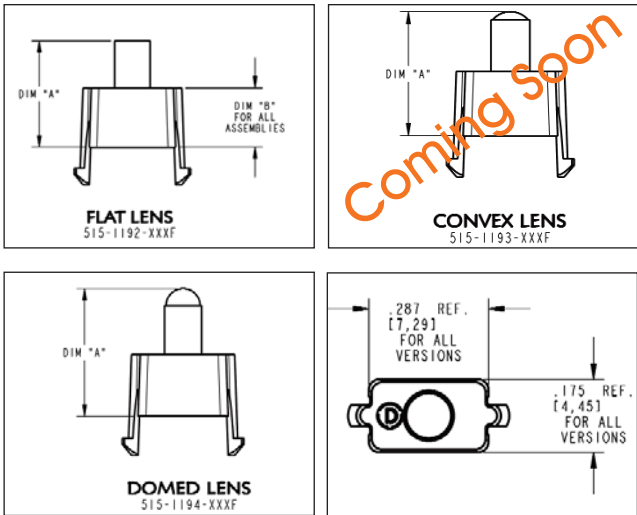


Dialight

NEW!

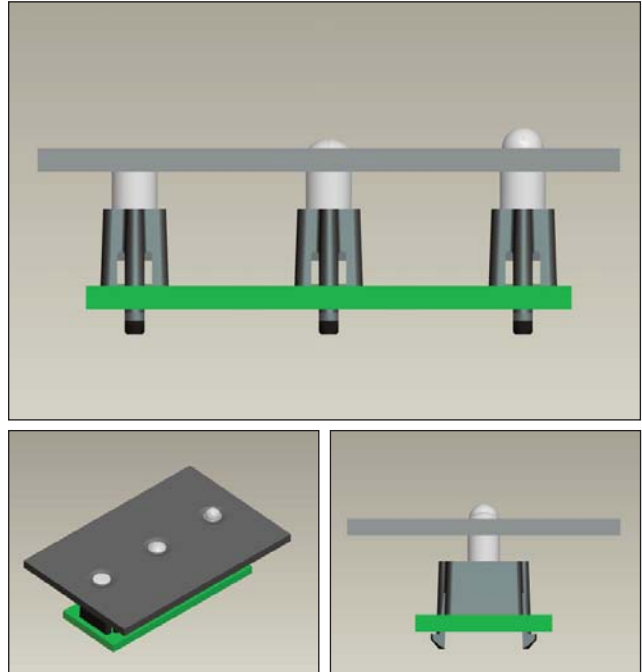


Optopipe® Vertical Lightpipes



Features & Benefits:

- ▷ Six lengths varying from .250 to .550
- ▷ Three lens styles for optimal viewing angles; Flat, Domed, and Convex
- ▷ Designed for both single and multi-color LEDs
- ▷ Impervious to failure due to shock and vibration
- ▷ Up to 90% more efficient than traditional light sources when delivering monochromatic light
- ▷ Low-voltage and minimal power consumption
- ▷ Light is produced through photonic emission, not as a by-product of a radiating heat source
- ▷ Molded from RoHS compliant UL94-V0 Water Clear Polycarbonate with an oxygen index of 35%.
- ▷ Designed to be used with Dialight surface mount LEDs 597-XXXX-207F. See page 17 for LED operating characteristics



515-119 X-XXXX-F

Length in (mm)
see dim A
Lens Shape

Order Codes

Part Number	DIM "A" in (mm)	Lens Shape
515-1192-0250F	250 (6,35)	Flat
515-1192-0550F	550 (13,97)	Flat
515-1194-0300F	300 (7,62)	Domed
515-1194-0350F	350 (8,89)	Domed
515-1194-0354F	354 (8,99)	Domed
515-1194-0450F	450 (11,43)	Domed

Longer versions available on request, consult factory

